



welters[®]

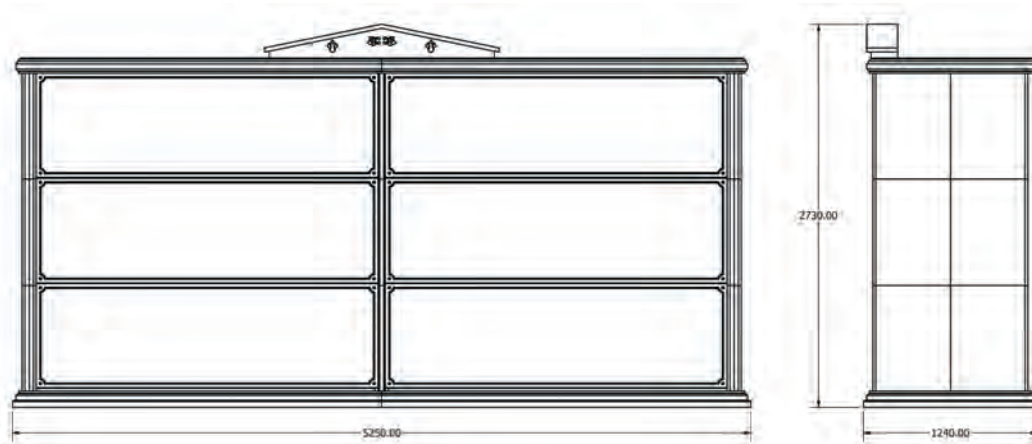
ORGANISATION
WORLDWIDE
Design and Innovation

Side Charging Mausolea

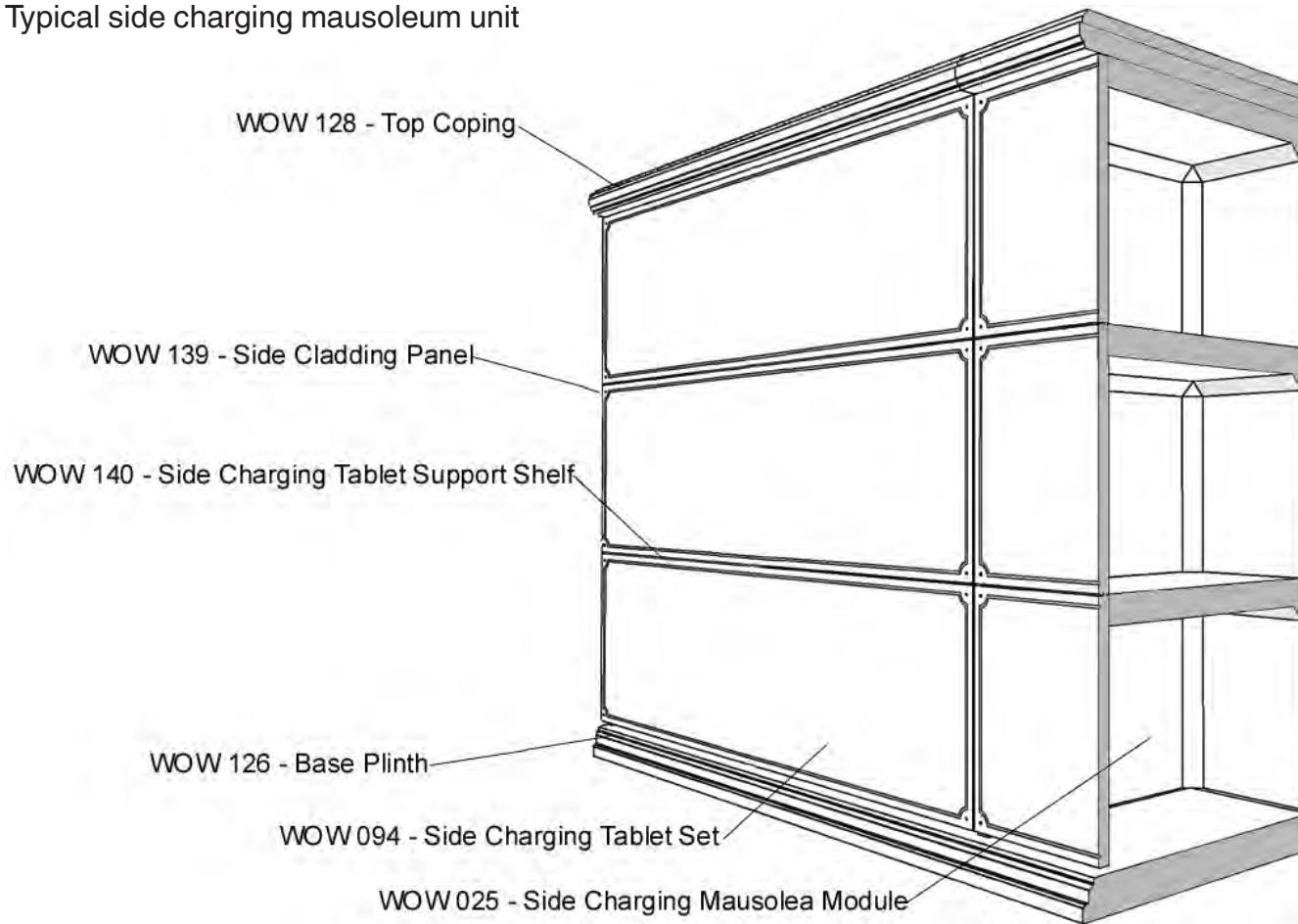
A narrow mausoleum design
ideal for areas with limited
space

140813.3

Side Charging Mausolea



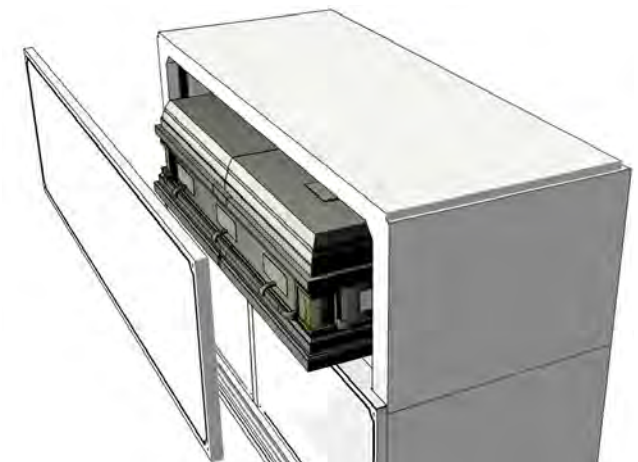
Typical side charging mausoleum unit



Side charging mausolea allow interments to be carried out from the side of the mausoleum cell.

This style of mausoleum provides a convenient method of above ground interment where space is limited.

Caskets are easily transferred into the modules side ways and the large side tablet provision enables the rights owner a considerable scope in terms of inscription and expression.





Side Charging Mausolea

The Side Charging Mausoleum Module can be built into virtually any configuration and allows for major projects such as cemetery perimeter wall development to be undertaken.





Side Charging Mausolea

welters® provides a 24/7 interment service where they will attend at the time of the funeral and ensure the interment is carried out successfully and the cell is sealed in accordance with welters® procedures.

A staff training service is available if in-house staff will be required to carry out the post interment sealing of the mausoleum cell.



Side Charging Mausolea

The design of the mausoleum modules ensures flexibility across uneven or sloping ground.

The structure can be used to retain levels allowing a tiered development of above and below ground interment provision to be installed on land where traditional earthen burial would be impossible.



Side Charging Mausolea

In many cases, space within an existing cemetery landscape is limited and the side charging module enables the provision of mausoleum interment against perimeter walls or boundary lines which is usually unsuitable for burial purposes.

The mausoleum could be used to block open sections of cemetery wall or fence line which may help security during closing hours.



Side Charging Mausolea

The large front tablet provision enables the rights owner a considerable scope in terms of inscription and expression is extremely attractive.

A vast array of furnishings are available to include with the inscription allowing for a truly personalised memorial and commemoration opportunity for the bereaved.



Side Charging Mausolea

Side charging mausolea can be installed in small modules or larger runs. They can provide for the needs of a single family or be part of a community mausoleum installation.

The flexibility of the side charging module has been proven over many years of nationwide design, supply and install services.





Side Charging Mausolea

The ability to utilise areas that are otherwise unsuitable for traditional styles of interment is a huge advantage, especially when new burial land is at a premium.

Burial authorities can increase the choice of interment offered to the bereaved and also extend their ability to inter in existing facilities.



Side Charging Mausolea

Incorporating Niche Interment for Cremated Remains

In addition to side charging interment the cells can be divided into niche compartments for the entombment of cremated remains caskets and urns.

The size of the niche is greater than that provided by traditional niche walls and can accept a wider choice of larger and more ornate urns and caskets

The fronts are sealed in granite or glass with ample inscription space and shelving for the placement of ornaments and tributes.

This innovation creates the opportunity to offer more choice to the bereaved and increase the revenue potential of the system with a high-end premium interment facility for cremated remains.





Side Charging Mausolea

Mausolea Interment and Sealing Up Services

welters® after sales care and support services, maintenance, interment and servicing packages provide a complete range of umbrella support tailored to suit your needs.

Upon receipt of appropriate notice from the administration office, welters® will attend to open up, clean and prepare any interment space. welters® staff will be dressed appropriately for funeral operations and will effect the post interment sealing up, with or without the family present, to a professional standard that will activate the warranty of that interment space accordingly.

All welters® staff are fully employed in house and trained as cemetery specialists.



welters[®]
ORGANISATION
WORLDWIDE
Design and Innovation

welters organisation worldwide
PO Box 159,
Carlisle,
Great Britain,
CA2 5BG

Sales Tel: 08702 418 240
Admin Tel: 08702 416 422
Fax: 01228 674 959

Procurement Enquiries: procurement@welters-worldwide.com

General Enquiries: admin@welters-worldwide.com