

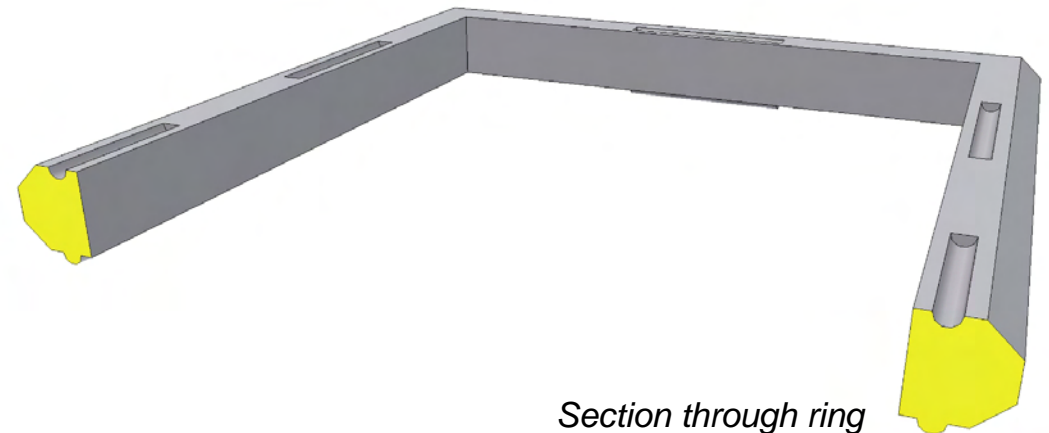
## INSPIRED TECHNOLOGIES

### Shallow Grave Extension Ring – WOW 190

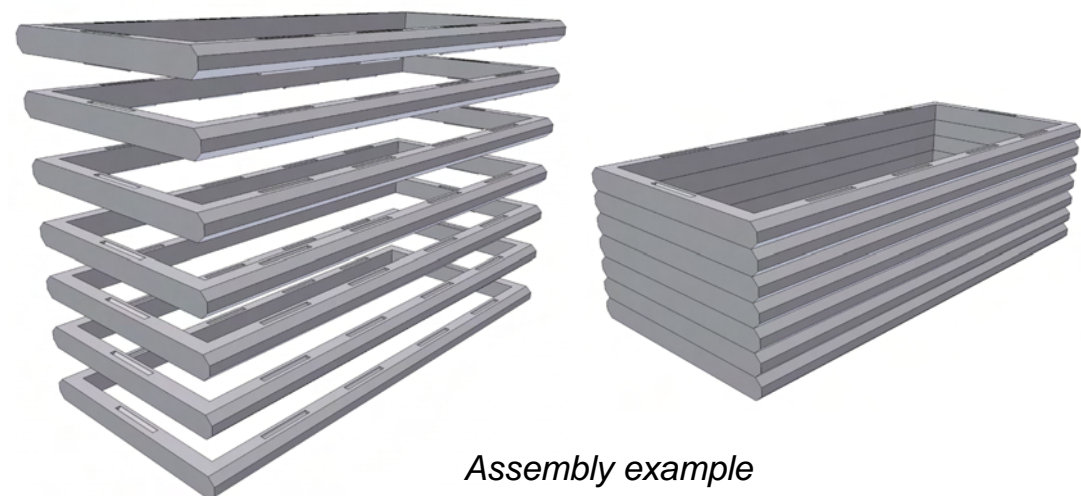
WOW 190 is used to create shallow grave extensions. They can be stacked on top of each other to create extensions at various heights.

They are lightweight and can easily be lifted into place by only two men.

Fitted with lifting sockets. Lifting loops can be supplied at extra cost.

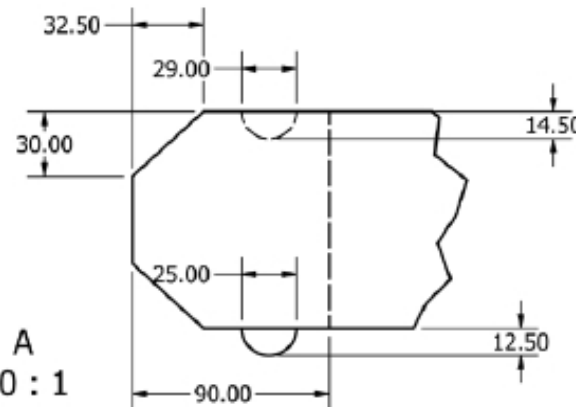
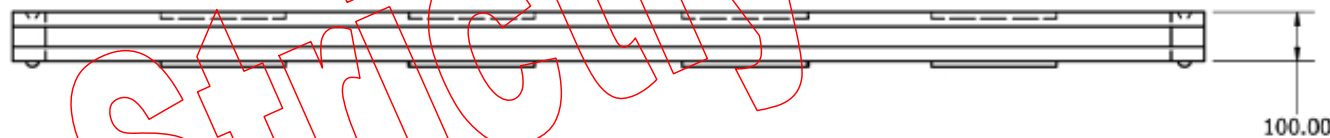
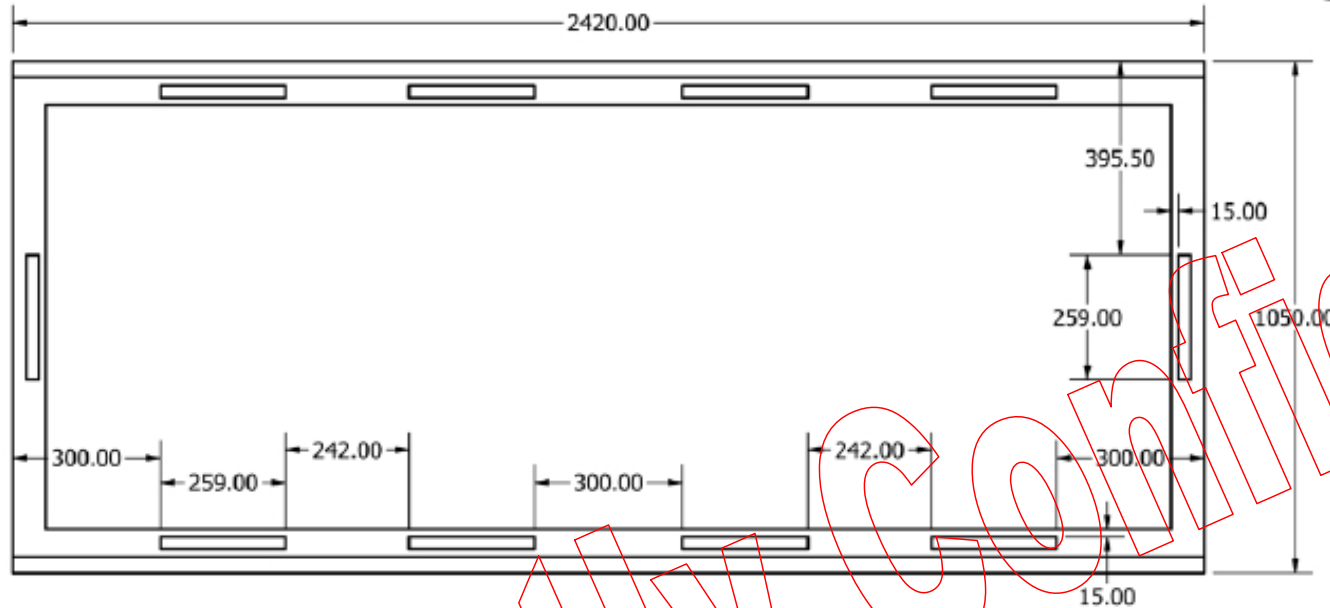
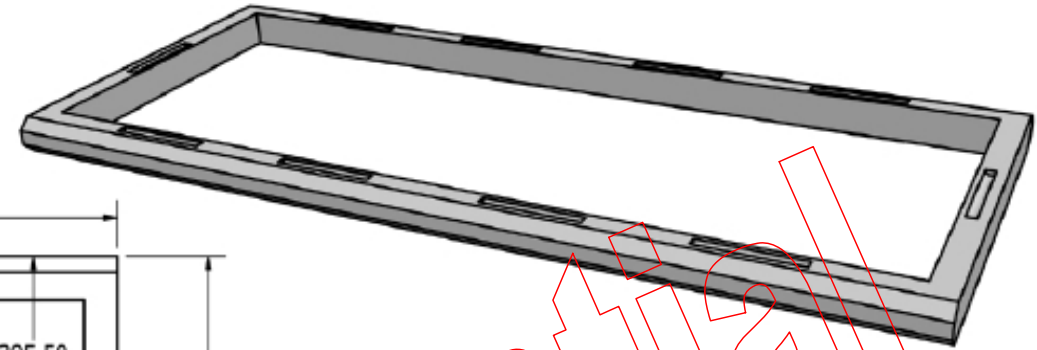


*Section through ring*



*Assembly example*

The intellectual property contained within this document belongs to **welters** and is not deemed to be in the public domain



DETAIL A  
SCALE 0.40 : 1

Copyright. **welters** organisation worldwide

<b>welters organisation worldwide</b>		
Drawn by: SW	Date: 10/03/08	Scale: --
Drawing no: WOW 190		Rev: A
Title: Shallow Grave Extension Ring		

All dimensions in mm