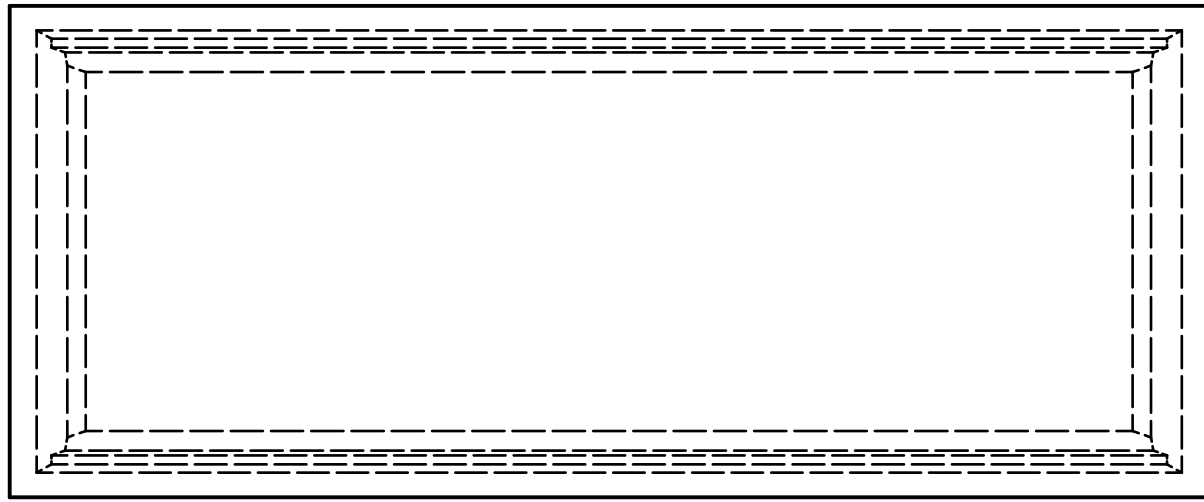
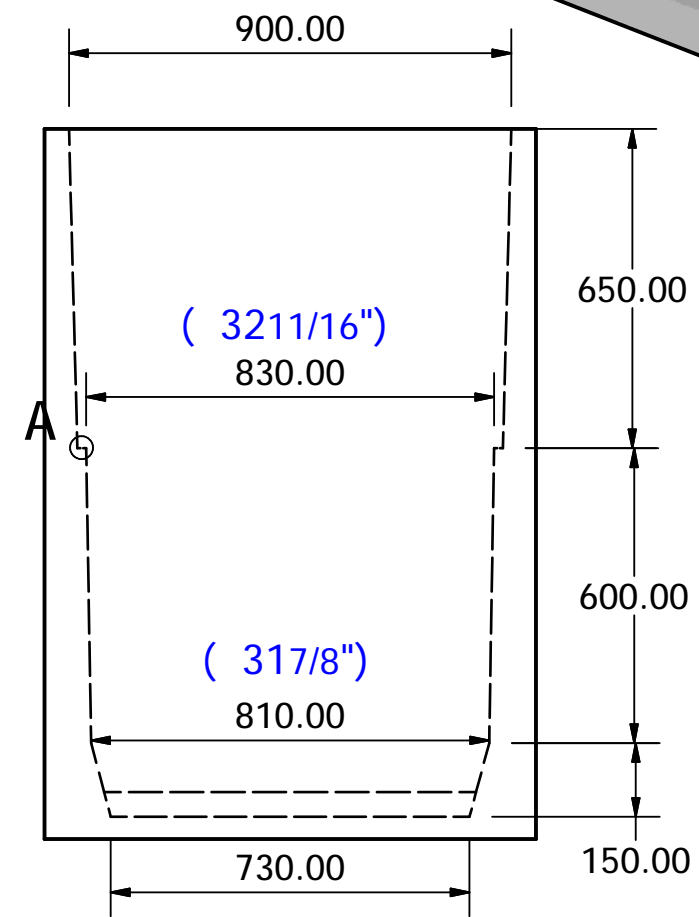
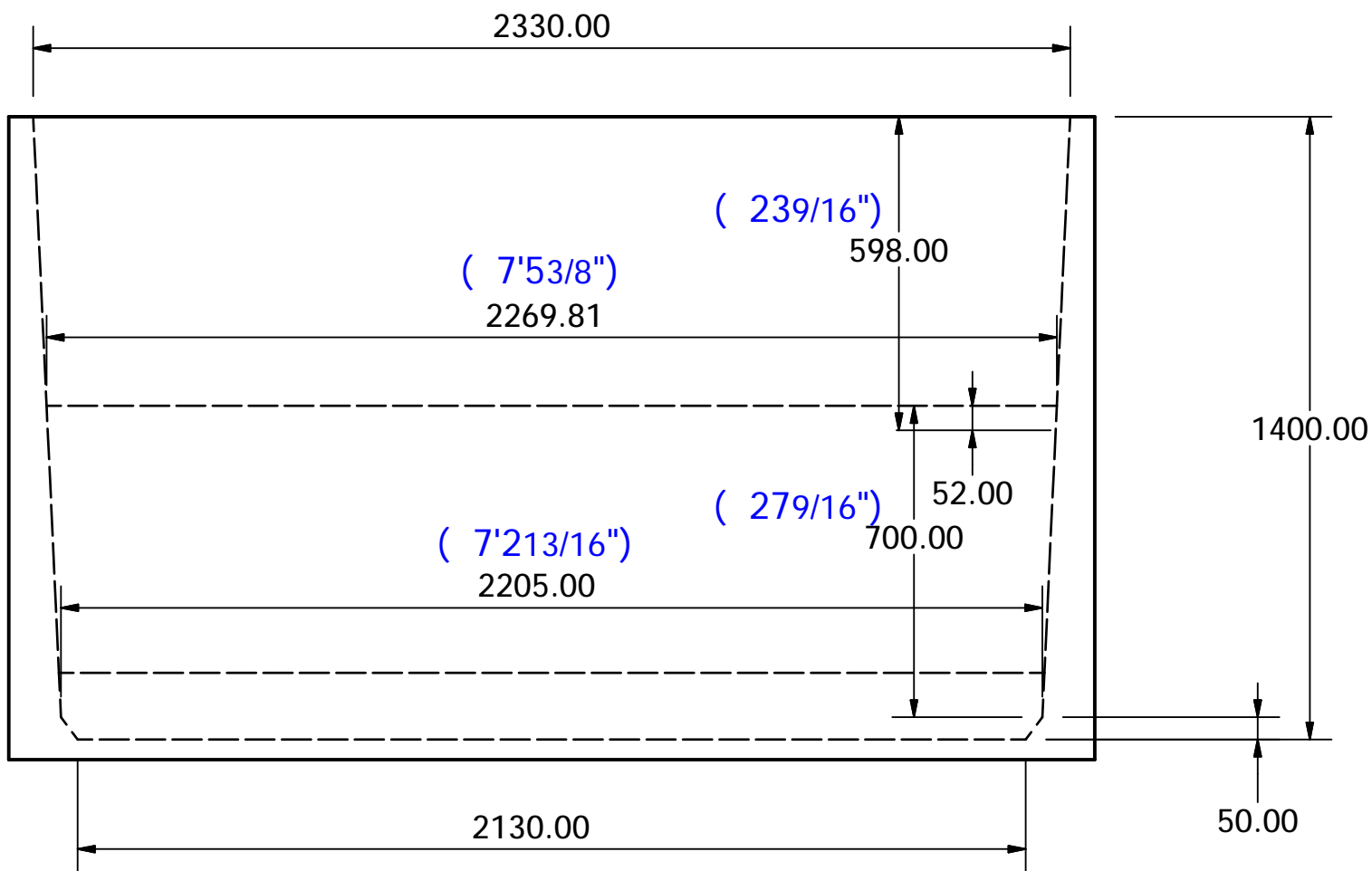
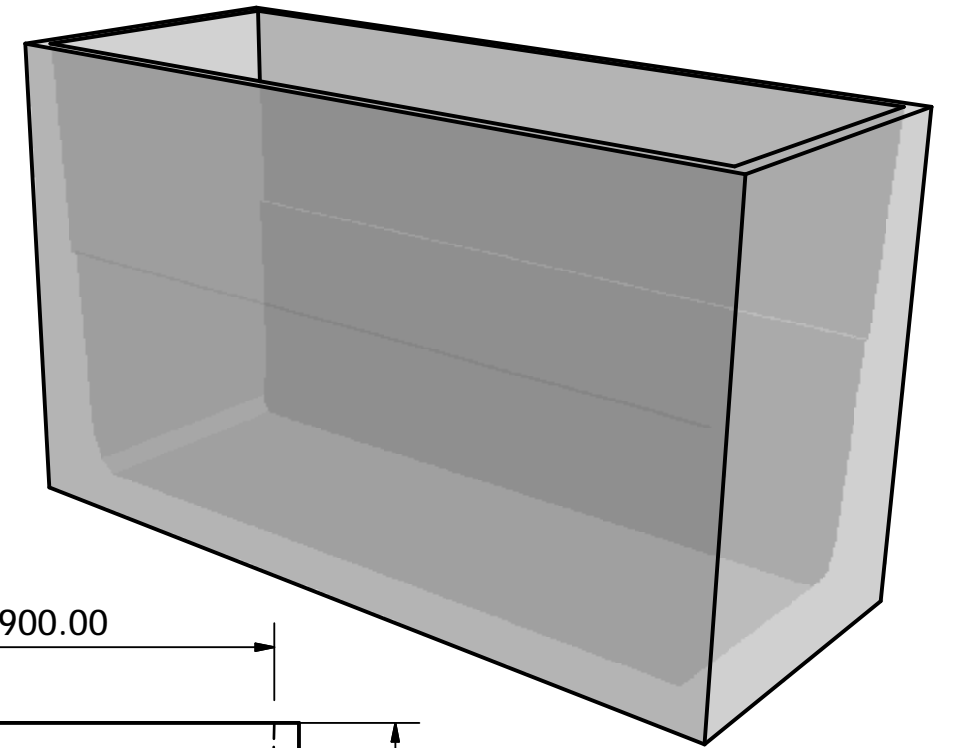
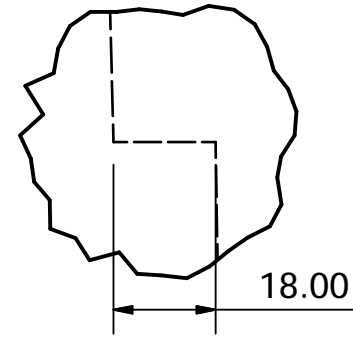


The intellectual property contained within this document belongs to welters and is not deemed to be in the public domain



A (3 : 4)



Internal Dimensions Only

Copyright. welters organisation worldwide

Subject to cemetery authority approval, a welters extension ring can be added to the top of all welters burial chambers to create additional burial space.

Please be aware, burial chambers are precast and therefore dimensions vary in accordance with industry standards

All dimensions in mm

Company: welters organisation worldwide		
Drawn by: SW	Date: 22/08/06	Scale: --
Drawing no: WOW 031		Rev: B
Title: welters Double Depth Burial Chamber		

